

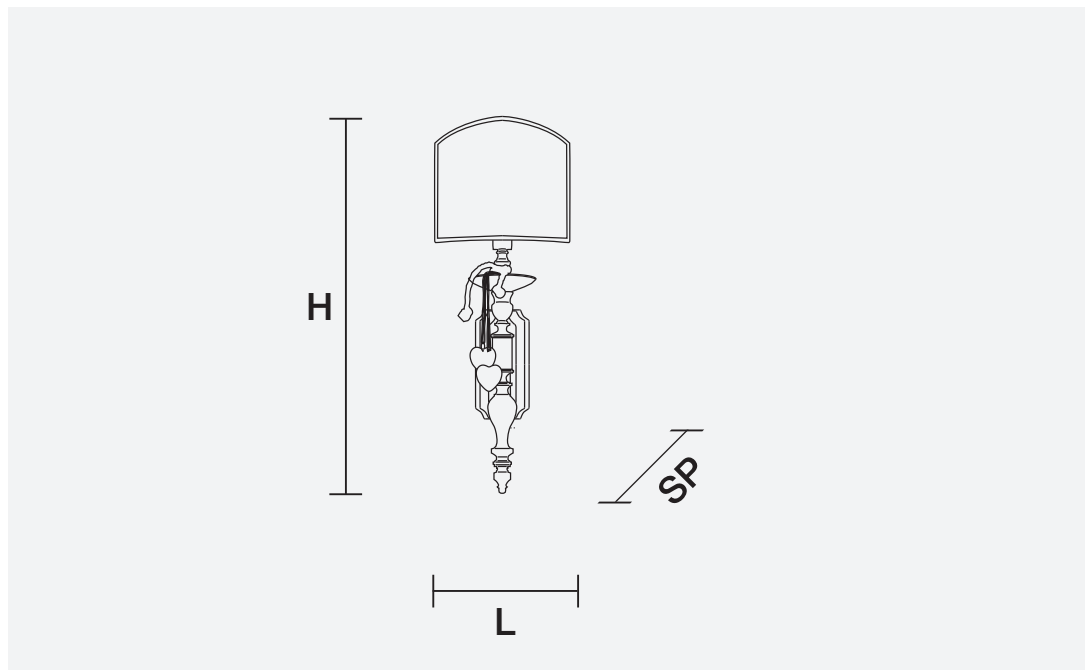
# BRASS & SPOTS VE 1002 A1

Design by: Studio Stile Masiero




Base in fusione d'ottone dorata, paralume in Shantung Avorio.

Gold plated solid brass base, Ivory Shantung lampshade.



H	55 cm 21.70"
L	20 cm 7.90"
SP	15 cm 5.90"

 1 x E14 x 40W max  
Incandescenza/Incandescent



## MATERIALI MATERIALS

### CUT CRYSTAL

Pendagli in cristallo trasparente molato.

Pendants in transparent cut crystal.

### SWAROVSKI® ELEMENTS

Pendagli in cristallo trasparente SWAROVSKI® ELEMENTS.

Pendants in transparent SWAROVSKI® ELEMENTS crystal.

### HALF CUT GLASS

Pendagli in vetro semi-molato.

Half cut glass pendants.