

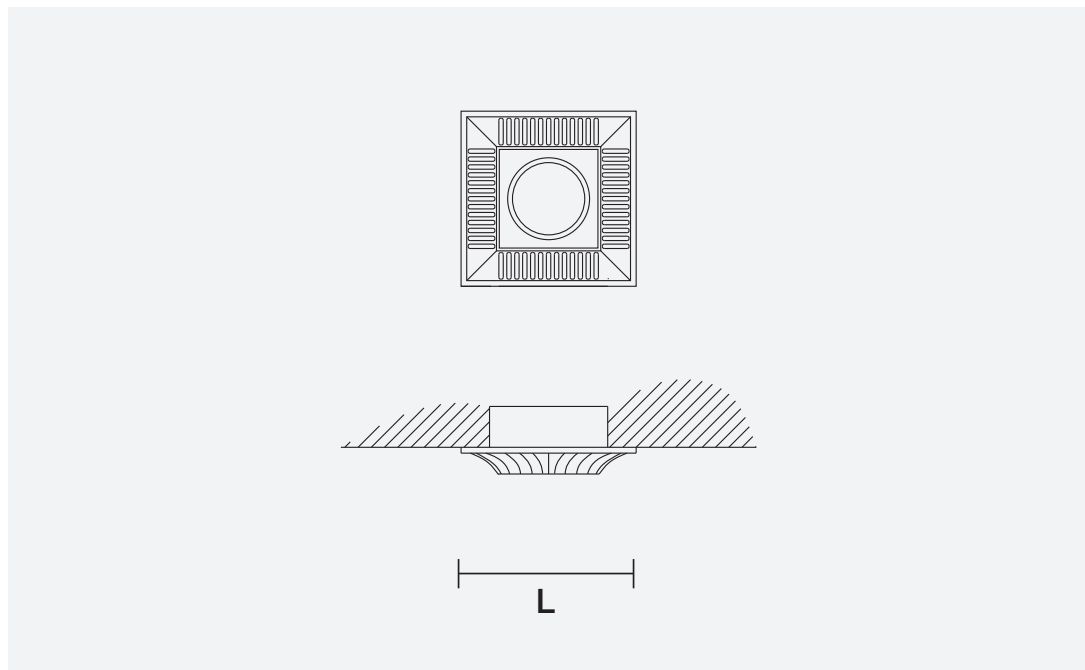
# BRASS & SPOTS VE 855

Design by: Studio Stile Masiero



Faretto da incasso in ottone dorato.  
Trasformatore e lampadina non  
inclusi. Foro Ø 60 mm

Solid brass gold plated spot light.  
Ballast and bulb not included.  
Hole Ø 2.37"



L 10 cm  
4.00"

Peso: 0.50 kg

1 x GU 5,3 x 35W max -12V  
Dicroica/Dichroic



## MATERIALI MATERIALS

### CUT CRYSTAL

Pendagli in cristallo trasparente  
molato.

Pendants in transparent cut crystal.

### SWAROVSKI® ELEMENTS

Pendagli in cristallo trasparente  
SWAROVSKI® ELEMENTS.

Pendants in transparent  
SWAROVSKI® ELEMENTS crystal.

### HALF CUT GLASS

Pendagli in vetro semi-molato.

Half cut glass pendants.