

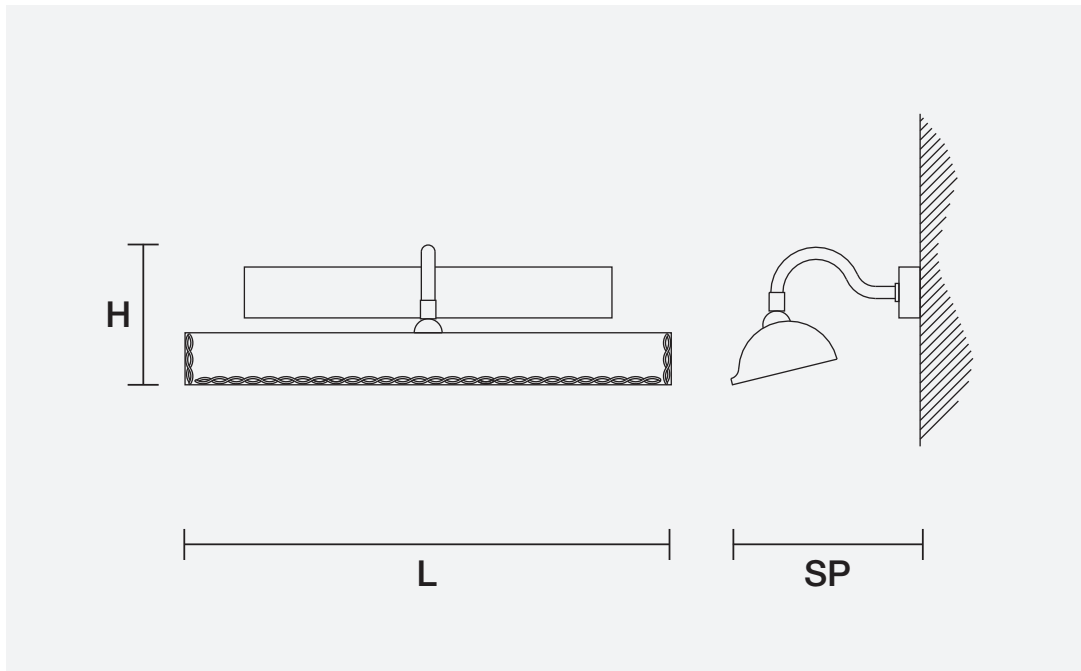
# BRASS & SPOTS VE 868 G

Design by: Studio Stile Masiero



Telaio in metallo dorato.  
Impianto elettrico a LED.  
Trasformatore incluso.

Gold plated metal frame.  
LED lighting system. Ballast included.



|    |                 |
|----|-----------------|
| H  | 10 cm<br>3.95"  |
| L  | 31 cm<br>12.20" |
| SP | 15 cm<br>5.90"  |

LED x 5W 3000K

## MATERIALI MATERIALS

### CUT CRYSTAL

Pendagli in cristallo trasparente molato.

Pendants in transparent cut crystal.

### SWAROVSKI® ELEMENTS

Pendagli in cristallo trasparente SWAROVSKI® ELEMENTS.

Pendants in transparent SWAROVSKI® ELEMENTS crystal.

### HALF CUT GLASS

Pendagli in vetro semi-molato.

Half cut glass pendants.

