

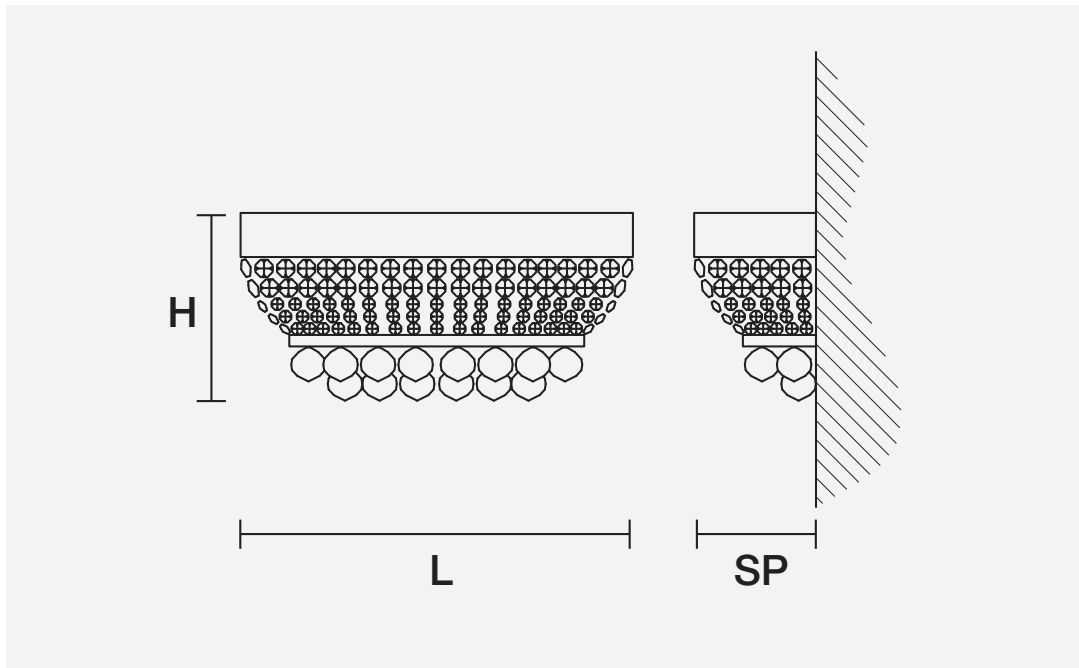
IMPERO-DECO VE 819 A LED

Design by: Studio Stile Masiero



Telaio in metallo cromato, pendagli in cristallo. Impianto elettrico a LED bianco, trasformatore incluso.

Chrome plated metal frame, crystal pendants. White LED lighting system. Ballast included.



H	18 cm 7.08"
L	40 cm 15.74"
SP	12 cm 4.72"

LED x 5W x 6000K
Incandescenza/Incandescent



MATERIALI MATERIALS

CUT CRYSTAL

Pendagli in cristallo trasparente molato.

Pendants in transparent cut crystal.

SWAROVSKI® ELEMENTS

Pendagli in cristallo trasparente SWAROVSKI® ELEMENTS.

Pendants in transparent SWAROVSKI® ELEMENTS crystal.

HALF CUT GLASS

Pendagli in vetro semi-molato.

Half cut glass pendants.