

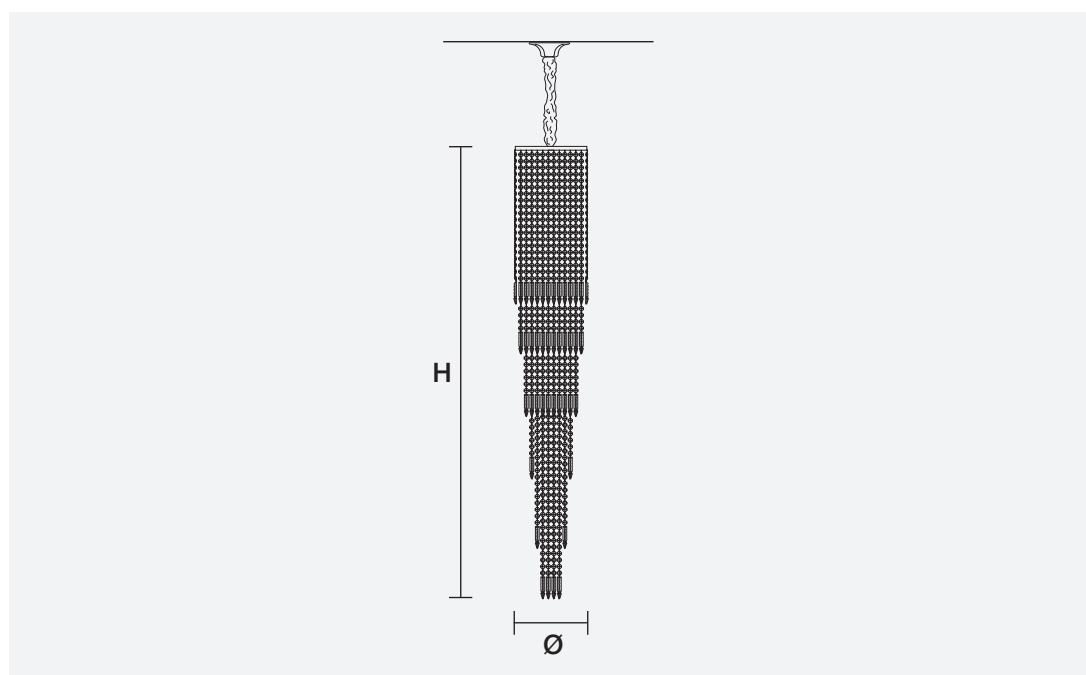
# IMPERO-DECO VE 825 S6

Design by: Studio Stile Masiero



Telaio in metallo cromato, pendagli in cristallo.


Chrome plated metal frame, crystal pendants.



H 230 cm  
90.60"

Ø 30 cm  
11.90"

Peso: 19 kg

 6 x E27 x 60W max  
Incandescenza/Incandescent

## MATERIALI MATERIALS

### CUT CRYSTAL

Pendagli in cristallo trasparente molato.

Pendants in transparent cut crystal.

### SWAROVSKI® ELEMENTS

Pendagli in cristallo trasparente SWAROVSKI® ELEMENTS.

Pendants in transparent SWAROVSKI® ELEMENTS crystal.

### HALF CUT GLASS

Pendagli in vetro semi-molato.

Half cut glass pendants.

