

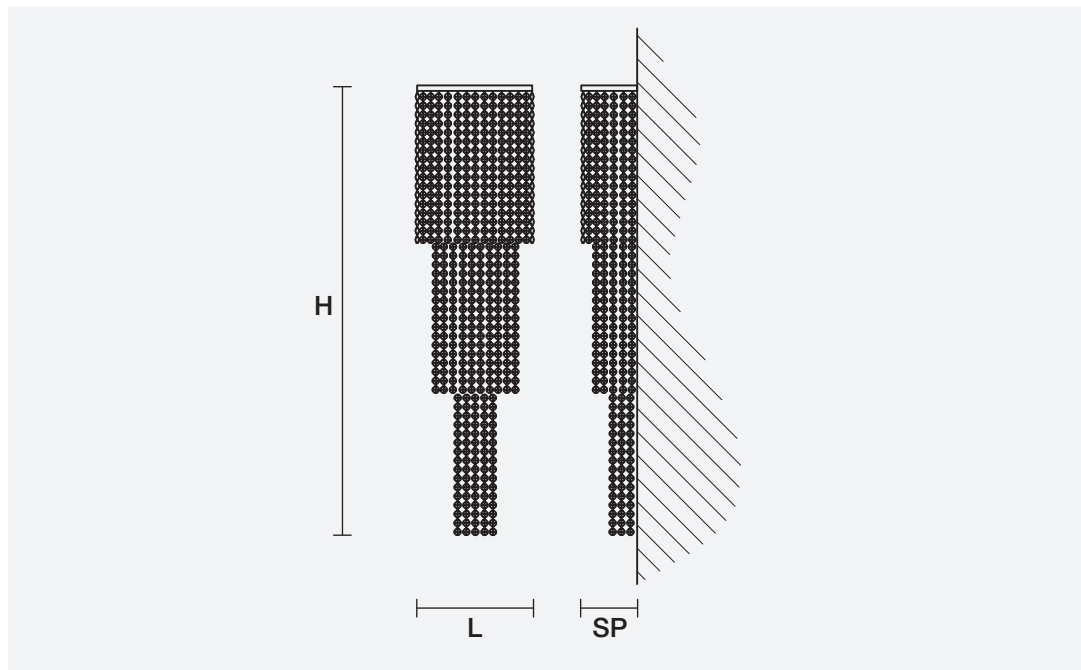
# IMPERO-DECO VE 844 A8

Design by: Studio Stile Masiero




Telaio in metallo cromato, pendagli in cristallo.

Chrome plated metal frame, crystal pendants.



H	90 cm 35.43"
L	28 cm 11.02"
SP	15 cm 5.90"

 8 x G9 x 40W max  
Alogena/Halogen



## MATERIALI MATERIALS

### CUT CRYSTAL

Pendagli in cristallo trasparente molato.

Pendants in transparent cut crystal.

### SWAROVSKI® ELEMENTS

Pendagli in cristallo trasparente SWAROVSKI® ELEMENTS.

Pendants in transparent SWAROVSKI® ELEMENTS crystal.

### HALF CUT GLASS

Pendagli in vetro semi-molato.

Half cut glass pendants.